

THIS DRAWING IS UNPUBLISHED. RELEASED FOR PUBLICATION  
 © COPYRIGHT - By - ALL RIGHTS RESERVED.

| LOC | DIST | REVISIONS |     |               |         |     |      |
|-----|------|-----------|-----|---------------|---------|-----|------|
| GP  | 00   | P         | LTR | DESCRIPTION   | DATE    | DWN | APVD |
|     |      | H1        |     | ECR-11-025464 | 16DEC11 | RK  | BVH  |

NOTES:

- 1. PITCH TOLERANCE TO BE ±.18[.007] FOR 1.27[.050] PITCH JUMPERS & ±.25[.010] FOR ALL REMAINING PITCHES. TOLERANCE TO BE NON CUMULATIVE OVER GAUGE LENGTH.
- 2. 11.92-152.40[.500-6.000] ARE STANDARD LENGTHS. JUMPERS ARE AVAILABLE IN INCREMENTS OF 2.50[.10] PLUS 6.35[.25] AND 19.05[.75].
- 3. DELETED
- 4. FOR CONDUCTOR PITCH 7 (2mm), ON PAGE 2 & 3, DIMENSION "B" IS 2.00[.079]
- 5. SPECIAL PIN LENGTHS ARE AVAILABLE FOR JUMPERS WITH A PIN CONFIGURATION OF "A" OR "B" ON LENGTHS OF UP TO 609.6[24.0] IN 2.54[.100] & 5.08[.200] PITCH VARIANTS ONLY BY ADDING THE FOLLOWING SUFFIXES:

| SUFFIX | PEN LENGTH  | TOLERANCE        |
|--------|-------------|------------------|
| V1     | 2.85 (.112) | ±.305<br>[±.012] |
| V2     | 3.40 (.134) |                  |
| V3     | 4.10 (.161) |                  |
| V4     | 6.50 (.256) |                  |
| V5     | 3.10 (.122) |                  |
| V6     | 2.81 (.150) |                  |
| V7     | 4.50 (.177) |                  |
| V8     | 2.00 (.079) |                  |
| V9     | TBD         |                  |
| V10    | .76 (.030)  |                  |
| V11    | 2.41 (.095) |                  |



6. RECOMMENDED PCB HOLE DRILLING DETAILS ARE AS FOLLOWS:-

| PITCH A     | ØG         |
|-------------|------------|
| 1.27 (.050) | .70 (.028) |
| 1.90 (.075) | .80 (.031) |
| 2.54 (.100) | .95 (.037) |
| 3.18 (.125) | .95 (.037) |
| 3.81 (.150) | .95 (.037) |
| 5.08 (.200) | .95 (.037) |



| JUMPER LENGTH   | PITCH (NOMINAL) | TRANSITION MAX | MAX/MIN MARGIN            | △ PIN DIAMETER                | WIRE GAUGE (AWG) | MIN/MAX No OF CONDUCTORS | MAXIMUM ADHESIVE FLOW | MIN GAP BETWEEN CONDUCTORS | CONDUCTOR WIDTH         | MAXIMUM INSULATION MISMATCH | MAX THICKNESS |
|---|-----------------|----------------|---------------------------|-------------------------------|------------------|--------------------------|-----------------------|----------------------------|-------------------------|-----------------------------|---------------|
| R 2   | A 1             | T              | C                         | E                             | -                | -                        | V                     | X                          | Y                       | Z                           | D             |
| 11.93 (.50) TO 863.6 (30.00) IN STEPS OF 2.50 (.10) PLUS 6.35 (.25) AND 19.05 (.75) | 1.00 (0.039)    | 4.32 [.170]    | 0.35 (0.014) 0.17 (.007)  | 0.330 (.0130) 0.317 (.0125)   | 28               | 2-70                     | 0.38 (0.015)          | 0.13 (0.009)               | 0.76 (.030) 0.56 (.022) | .76 (.030)                  | .64           |
|   | 1.25 (0.049)    | 4.32 [.170]    | 0.50 (0.020) 0.17 (0.007) | 0.330 (.0130) 0.317 (.0125)   | 28               | 2-70                     | 0.38 (0.015)          | 0.25 (0.010)               | 0.89 (.035) 0.64 (.025) | .76 (.030)                  | .64           |
|   | 1.27 (0.050)    | 4.32 [.170]    | 0.50 (0.020) 0.17 (0.007) | 0.330 (.0130) 0.317 (.0125)   | 28               | 2-70                     | 0.38 (0.015)          | 0.25 (0.010)               | 0.89 (.035) 0.64 (.025) | .76 (.030)                  | .64           |
|   | 2.00 (0.079)    | 5.08 [.200]    | 0.70 (0.028) 0.25 (0.010) | 0.416 (0.0164) 0.400 (0.0157) | 26               | 2-50                     | 0.38 (0.015)          | 0.38 (0.015)               | 1.14 (.045) 0.89 (.035) | .76 (.030)                  | .84           |
|   | 1.90 (0.075)    | 5.08 [.200]    | 0.70 (0.028) 0.25 (0.010) | 0.416 (0.0164) 0.400 (0.0157) | 26               | 2-50                     | 0.38 (0.015)          | 0.38 (0.015)               | 1.14 (.045) 0.89 (.035) | .76 (.030)                  | .84           |
|   | 2.54 (0.100)    | 6.35 [.250]    | 0.80 (0.031) 0.25 (0.010) | 0.526 (0.0207) 0.505 (0.0199) | 24               | 2-50                     | 0.51 (0.020)          | 0.51 (0.020)               | 1.52 (.060) 1.27 (.050) | .76 (.030)                  | .84           |
|   | 3.18 (0.125)    | 6.35 [.250]    | 1.00 (0.039) 0.25 (0.010) | 0.526 (0.0207) 0.505 (0.0199) | 24               | 2-25                     | 0.51 (0.020)          | 0.51 (0.020)               | 1.52 (.060) 1.27 (.050) | .76 (.030)                  | .84           |
|   | 3.81 (0.150)    | 6.35 [.250]    | 1.00 (0.039) 0.25 (0.010) | 0.526 (0.0207) 0.505 (0.0199) | 24               | 2-20                     | 0.51 (0.020)          | 0.51 (0.020)               | 1.52 (.060) 1.27 (.050) | .76 (.030)                  | .84           |
|   | 5.08 (0.200)    | 6.35 [.250]    | 1.00 (0.039) 0.25 (0.010) | 0.526 (0.0207) 0.505 (0.0199) | 24               | 2-15                     | 0.51 (0.020)          | 0.51 (0.020)               | 1.52 (.060) 1.27 (.050) | .76 (.030)                  | .84           |

- 7. BEND RADIUS TO APPLY ONLY IN THE FLAT SECTION OF JUMPER BETWEEN THE CONDUCTOR TRANSITION AREAS.
- 8. PER 108-2135.
- 9. TOOL MARKS PERMISSIBLE ON BENDS. NO EXPOSED COPPER.
- 10. PIN DIAMETER SPECIFIED NOT APPLICABLE IN BENDING AREA OF PIN, DUE TO NORMAL DEFORMATION OF BENDING PROCESS.
- 11. REFER TO RELEVANT MATERIAL SPECIFICATIONS.

| F - MID POINT THICKNESS BETWEEN PT 1 & PT 2 | MINIMUM     |             | MAXIMUM |  |
|---|-------------|-------------|---------|--|
|   |             |             |         |  |
| NOMEX®                                      | .152 [.006] | .305 [.012] |         |  |
| POLYESTER                                   | .152 [.006] | .305 [.012] |         |  |
| KAPTON®                                     | .102 [.004] | .254 [.010] |         |  |
| TEFLON®                                     | .305 [.012] | .533 [.021] |         |  |

12. PRODUCT AND PROCESSING MUST MEET REQUIREMENTS OF TE CONNECTIVITY STANDARD 230-702.

Nomex®, Teflon® and Kapton® are trademarks of E. I. DuPont de Nemours.

THIS DRAWING IS A CONTROLLED DOCUMENT.

DWN J. SCHWARTZ 28FEB01  
 CHK E. FOX 28FEB01  
 APVD E. FOX 28FEB01

STE TE Connectivity

NAME FLEXSTRIP PIN CONFIGURATIONS, GENERIC

PRODUCT SPEC -  
 APPLICATION SPEC -

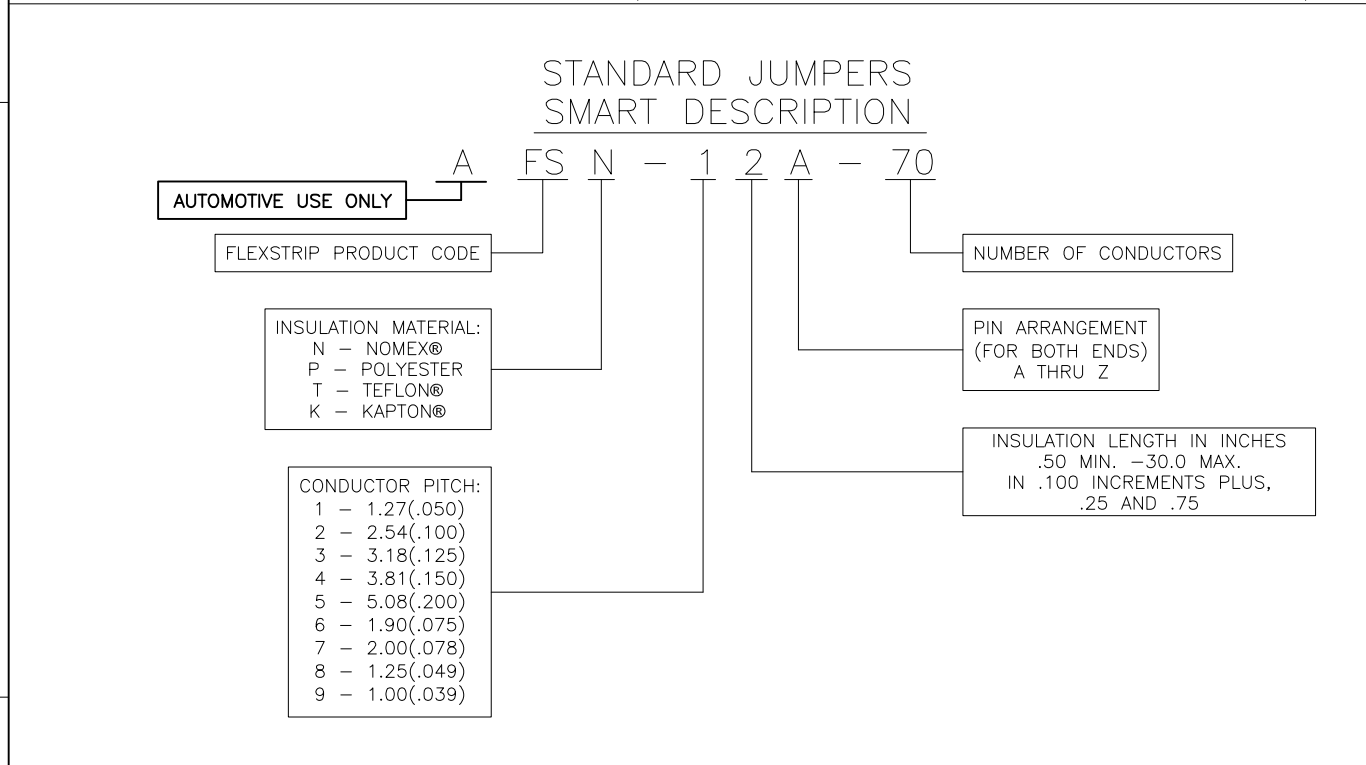
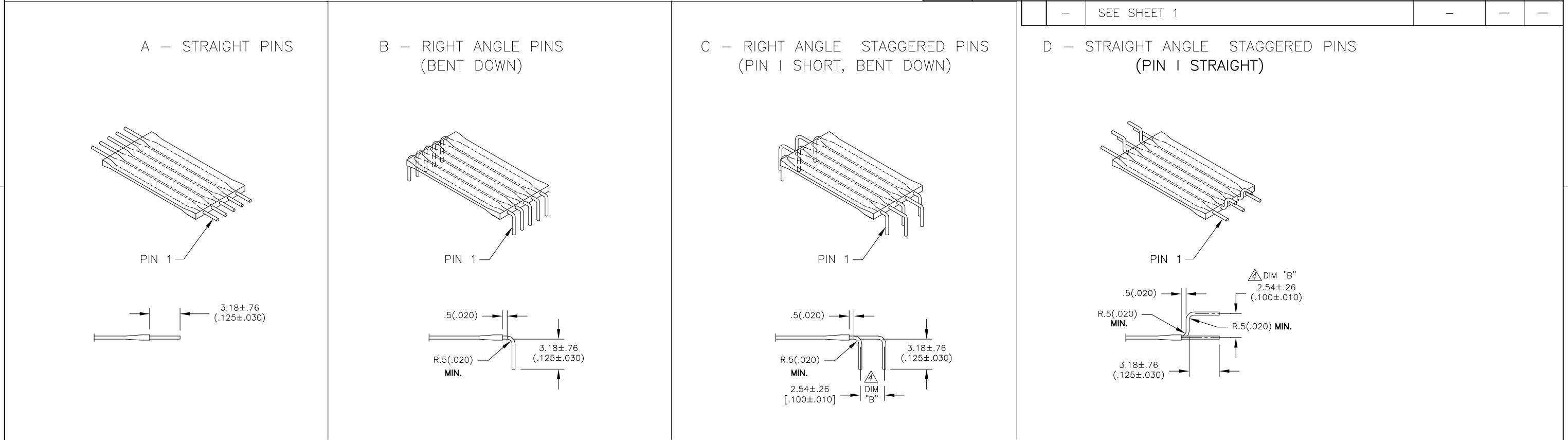
SIZE A3 CAGE CODE 00779 DRAWING NO C-1474339 RESTRICTED TO -

SCALE N.T.S. SHEET 1 OF 4 REV H1

CUSTOMER DRAWING

THIS DRAWING IS UNPUBLISHED. RELEASED FOR PUBLICATION. ALL RIGHTS RESERVED.

LOC GP DIST 00 REVISIONS P LTR DESCRIPTION DATE DWN APVD

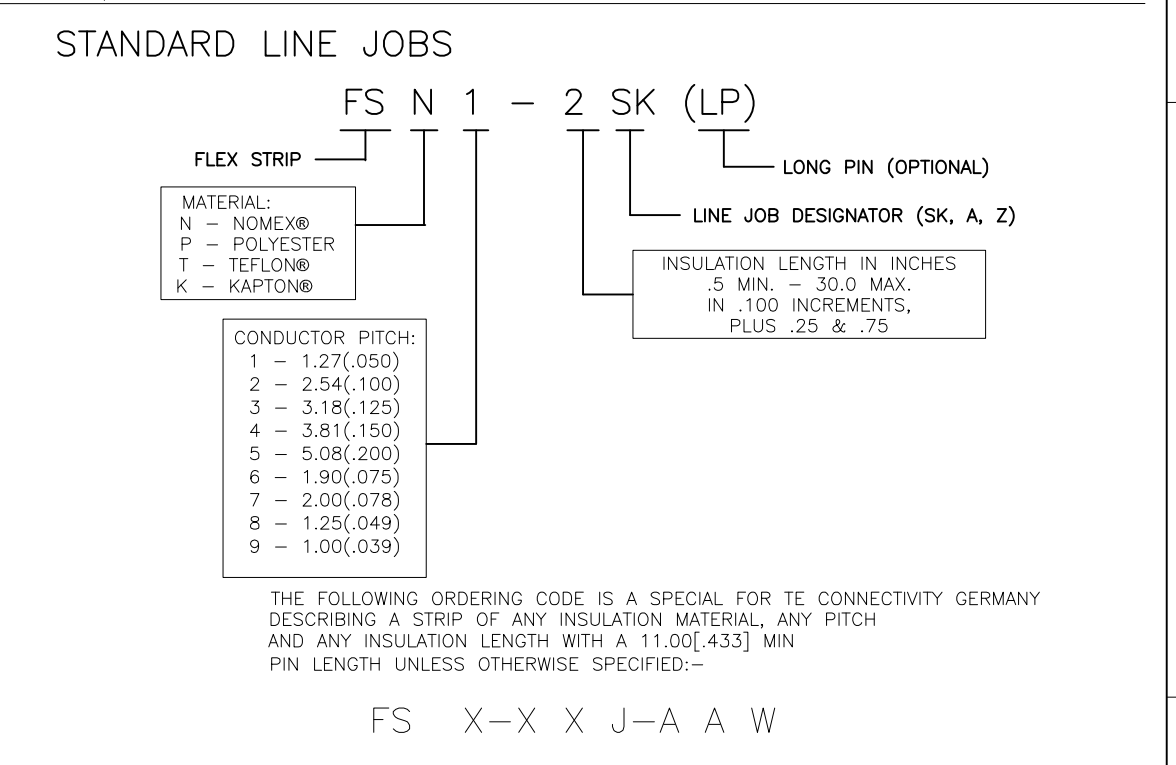


**MANUFACTURING NOTE:**  
 MINIMUM GAP BETWEEN STRIPS

|        |          |
|--------|----------|
| SK/A/Z | .75 INCH |
| LP     | 1.1 INCH |

**MINIMUM CONDUCTOR COUNT PER STRIP FOR LINE JOBS**

| PITCH         | CONDUCTOR |
|---------------|-----------|
| 1 1.27 (.050) | 60        |
| 2 2.54 (.100) | 60        |
| 3 3.18 (.125) | 60        |
| 4 3.81 (.150) | 50        |
| 5 5.08 (.200) | 40        |
| 6 1.91 (.075) | 60        |
| 7 2.0 (.078)  | 60        |
| 8 1.24 (.049) | 60        |
| 9 1.0 (.039)  | 80        |



Nomex®, Teflon® and Kapton® are trademarks of E. I. DuPont de Nemours.

THIS DRAWING IS A CONTROLLED DOCUMENT.

|                         |  |
|-------------------------|--|
| DIMENSIONS: MM [INCHES] | TOLERANCES UNLESS OTHERWISE SPECIFIED: |
|                         | 0 PLC ± -                              |
|                         | 1 PLC ± -                              |
|                         | 2 PLC ± -                              |
|                         | 3 PLC ± -                              |
|                         | 4 PLC ± -                              |
|                         | ANGLES ± 1/2°                          |
| MATERIAL                | FINISH                                 |
| -                       | -                                      |

|                         |  |
|-------------------------|--|
| DWN J. SCHWARTZ 28FEB01 | TE Connectivity  |
| CHK E. FOX 28FEB01      |  |
| APVD E. FOX 28FEB01     |  |
| PRODUCT SPEC            |  |
| APPLICATION SPEC        | NAME FLEXSTRIP PIN CONFIGURATIONS, GENERIC                   |
| WEIGHT -                | SIZE A3 CAGE CODE 00779 DRAWING NO C-1474339 RESTRICTED TO - |
| CUSTOMER DRAWING        | SCALE N.T.S. SHEET 2 OF 4 REV H1                             |

THIS DRAWING IS UNPUBLISHED. RELEASED FOR PUBLICATION  
 © COPYRIGHT - By - ALL RIGHTS RESERVED.

| LOC | DIST | REVISIONS |     |             |      |     |      |
|-----|------|-----------|-----|-------------|------|-----|------|
| GP  | 00   | P         | LTR | DESCRIPTION | DATE | DWN | APVD |
|     |      | -         |     | SEE SHEET 1 | -    | -   | -    |



**SPECIAL JUMPERS  
SMART DESCRIPTION**



| CONDUCTOR PITCH  | BENDS AVAILABLE |
|------------------|-----------------|
| 1 - 1.27/(.050)  | E,F,G,H,J,K,L   |
| 2 - 2.54/(.100)  | E,F,G,H,J,K,L   |
| 3 - 3.18/(.125)  | E               |
| 4 - 3.81/(.150)  | E               |
| 5 - 5.08/(.200)  | E               |
| 6 - 1.91/(.075)  | E,F,G,H,J,K,L   |
| 7 - 2.00/(.0787) | E,F,G,H,J,K,L   |
| 8 - 1.25/(.049)  | E               |
| 9 - 1.00/(.039)  | E               |

| SPECIAL PIN LENGTH |
|--------------------|
| V1 - 2.84(.112)    |
| V2 - 3.40(.134)    |
| V3 - 4.09(.161)    |
| V4 - 6.50(.256)    |
| V5 - 3.01(.122)    |
| V6 - 3.81(.150)    |
| V7 - 4.50(.177)    |
| V8 - 2.01(.079)    |
| V9 - TBD           |
| V10 - .76 (.030)   |
| V11 - 2.41(.095)   |

| INSULATION MATERIAL: |
|----------------------|
| N - NOMEX®           |
| P - POLYESTER        |
| T - TEFLON®          |
| K - KAPTON®          |

| CONDUCTOR PITCH: |
|------------------|
| 1 - 1.27(.050)   |
| 2 - 2.54(.100)   |
| 3 - 3.18(.125)   |
| 4 - 3.81(.150)   |
| 5 - 5.08(.200)   |
| 6 - 1.90(.075)   |
| 7 - 2.00(.078)   |
| 8 - 1.25(.049)   |
| 9 - 1.00(.039)   |

INSULATION LENGTH: (in inches)  
 .50 MIN. - 30.0 MAX.  
 IN .10 INCREMENTS PLUS .25 AND .75 .

|                       |
|-----------------------|
| E THRU L BEND         |
| "A" DIM               |
| 3.18±0.76/(.125±.030) |
| "B" DIM               |
| 2.54±0.25/(.100±.010) |

**SPECIAL FLEXSTRIP BENDS**  
 SPECIAL FLEXSTRIP BENDS  
 E THRU R, AND Z MAY APPLY TO EITHER  
 LEFT OF RIGHT SIDE

Nomex®, Teflon® and Kapton® are trademarks of E. I. DuPont de Nemours.

THIS DRAWING IS A CONTROLLED DOCUMENT.

|                            |  |                               |  |
|----------------------------|--|-------------------------------|--|
| DIMENSIONS:<br>MM [INCHES] | TOLERANCES UNLESS OTHERWISE SPECIFIED:<br>0 PLC ± -<br>1 PLC ± -<br>2 PLC ± -<br>3 PLC ± -<br>4 PLC ± -<br>ANGLES ± 1/2° | DWN<br>J. SCHWARTZ<br>28FEB01 | TE Connectivity<br>NAME<br>FLEXSTRIP PIN CONFIGURATIONS, GENERIC |
| MATERIAL                   | FINISH   | CHK<br>E. FOX<br>28FEB01      |  |
|                            |  | APVD<br>E. FOX<br>28FEB01     |  |
|                            |  | PRODUCT SPEC                  |  |
|                            |  | APPLICATION SPEC              | SIZE<br>A3   |
|                            |  | WEIGHT                        | CAGE CODE<br>00779   |
|                            |  |                               | DRAWING NO<br>C-1474339  |
|                            |  |                               | RESTRICTED TO  |
|                            |  |                               | SCALE<br>N.T.S.  |
|                            |  |                               | SHEET<br>3 OF 4  |
|                            |  |                               | REV<br>H1  |

CUSTOMER DRAWING

THIS DRAWING IS UNPUBLISHED. RELEASED FOR PUBLICATION  
 © COPYRIGHT - By - ALL RIGHTS RESERVED.

|           |            |             |      |           |
|-----------|------------|-------------|------|-----------|
| LOC<br>GP | DIST<br>00 | REVISIONS   |      |           |
| P         | LTR        | DESCRIPTION | DATE | DWN<br>-  |
|           |            | SEE SHEET 1 | -    | APVD<br>- |

|   |                  |  |  |  |  |  |  |  |  |  |
|---|------------------|--|--|--|--|--|--|--|--|--|
| NORMAL CONDUCTOR PITCH  |                  | 1.00<br>(.039)   | 1.25<br>(.049)   | 1.27<br>(.050)   | 1.90<br>(.075)   | 2.00<br>(.078)   | 2.54<br>(.100)   | 3.18<br>(.125)   | 3.81<br>(.150)   | 5.08<br>(.200)   |
| WIRE GAUGE  |                  | AWG 28   | AWG 28   | AWG 28   | AWG 26   | AWG 26   | AWG 24   | AWG 24   | AWG 24   | AWG 24   |
| NOMINAL WIRE DIAMETER   |                  | .32(.0126)   | .32(.0126)   | .32(.0126)   | .40(.0159)   | .40(.0159)   | .51(.0201)   | .51(.0201)   | .51(.0201)   | .51(.0201)   |
| CURRENT RATING  |                  | 8  | 8  | 8  | 8  | 8  | 8  | 8  | 8  | 8  |
| VOLTAGE RATING  |                  | 8  | 8  | 8  | 8  | 8  | 8  | 8  | 8  | 8  |
| MAX NUMBER OF CONDUCTORS PER JUMPER                             |                  | 8  | 8  | 8  | 8  | 8  | 8  | 8  | 8  | 8  |
| MIN BREAKDOWN VOLTAGE @ 1 MIN                                   |                  | 8  | 8  | 8  | 8  | 8  | 8  | 8  | 8  | 8  |
| INSULATION RESISTANCE (GND. SIG. GND) 305 (12") SAMPLE @ 500VDC | P<br>N<br>T<br>K | 8  | 8  | 8  | 8  | 8  | 8  | 8  | 8  | 8  |
| CAPACITANCE (pf / 50.8 (12") LENGTH) (GND, SIG, GND) (AVERAGE)  | P<br>N<br>T<br>K | 8  | 8  | 8  | 8  | 8  | 8  | 8  | 8  | 8  |
| CHARACTERISTIC IMPEDANCE (GND. SIG. GND) (AVERAGE)              | P<br>N<br>T<br>K | 8  | 8  | 8  | 8  | 8  | 8  | 8  | 8  | 8  |
| APPLICATION TEMP RANGE (C°) (FOR SOLDERING)                     | P<br>N<br>T<br>K | 200 / 4 sec<br>200 / 4 sec<br>240 / 4 sec<br>240 / 4 sec   | 200 / 4 sec<br>200 / 4 sec<br>240 / 4 sec<br>240 / 4 sec | 200 / 4 sec<br>200 / 4 sec<br>240 / 4 sec<br>240 / 4 sec | 200 / 4 sec<br>200 / 4 sec<br>240 / 4 sec<br>240 / 4 sec | 200 / 4 sec<br>200 / 4 sec<br>240 / 4 sec<br>240 / 4 sec | 250 / 4 sec<br>250 / 4 sec<br>260 / 5 sec<br>260 / 5 sec | 250 / 4 sec<br>250 / 4 sec<br>260 / 5 sec<br>260 / 5 sec | 250 / 4 sec<br>250 / 4 sec<br>260 / 5 sec<br>260 / 5 sec | 250 / 4 sec<br>250 / 4 sec<br>260 / 5 sec<br>260 / 5 sec |
| OPERATING TEMPERATURE (C°)                                      | P<br>N<br>T<br>K | -40 to 105 (For all Conductor Pitches)<br>-40 to 125 (For all Conductor Pitches)<br>-40 to 150 (For all Conductor Pitches)<br>-40 to 150 (For all Conductor Pitches)                                     |  |  |  |  |  |  |  |  |
| MINIMUM BEND RADIUS   | P<br>N<br>T<br>K | 3.18mm (For all Conductor Pitches)<br>3.18mm (For all Conductor Pitches)<br>3.18mm (For all Conductor Pitches)<br>3.18mm (For all Conductor Pitches)   |  |  |  |  |  |  |  |  |
| UL STYLE NUMBER   | P<br>N<br>T<br>K | 2639 (For all Conductor Pitches .100 and above)<br>5456 (For all Conductor Pitches .100 and above)<br>2928 (For all Conductor Pitches .100 and above)<br>2927 (For all Conductor Pitches .100 and above) |  |  |  |  |  |  |  |  |

| ABR. | MATERIAL    | SPECIFICATION |
|------|-------------|---------------|
|      | COPPER WIRE | 100-1577      |
| P    | POLYESTER   | 100-1575      |
| N    | NOMEX®      | 100-1758      |
| T    | TEFLON®     | 100-1574      |
| K    | KAPTON®     | 100-1576      |

Nomex®, Teflon® and Kapton® are trademarks of E. I. DuPont de Nemours.

|   |  |                               |   |                    |
|---|--|-------------------------------|---|--------------------|
| THIS DRAWING IS A CONTROLLED DOCUMENT.  |  | DWN<br>J. SCHWARTZ<br>28FEB01 |  TE Connectivity |                    |
|   |  | CHK<br>E. FOX<br>28FEB01      |   |                    |
| DIMENSIONS: MM [INCHES]   |  | APVD<br>E. FOX<br>28FEB01     | NAME<br>FLEXSTRIP PIN CONFIGURATIONS, GENERIC   |                    |
|  |  | PRODUCT SPEC<br>-             | -   |                    |
| TOLERANCES UNLESS OTHERWISE SPECIFIED:  |  | APPLICATION SPEC<br>-         | -   |                    |
| MATERIAL  |  | WEIGHT<br>-                   | SIZE<br>A3  | CAGE CODE<br>00779 |
|   |  | FINISH<br>-                   | DRAWING NO<br>C-1474339   | RESTRICTED TO<br>- |
| CUSTOMER DRAWING  |  |                               | SCALE<br>N.T.S.   | SHEET<br>4 OF 4    |
|   |  |                               | REV<br>H1   |                    |